

# Fitting instruction

## Minimum distances to other components

Installing the fan in a box may result in reduced air performance compared to the best achievable performance, which is determined at free-blowing or unhooded conditions. Please follow these installation instructions to avoid losses in air performance.

**punker** 

**punker GmbH**

Niewark 1  
24340 Eckernförde  
Germany

Fon: +49.4351.472.0

Fax: +49.4351.472.740

info@punker.de

► www.punker.com

**punker LLC**

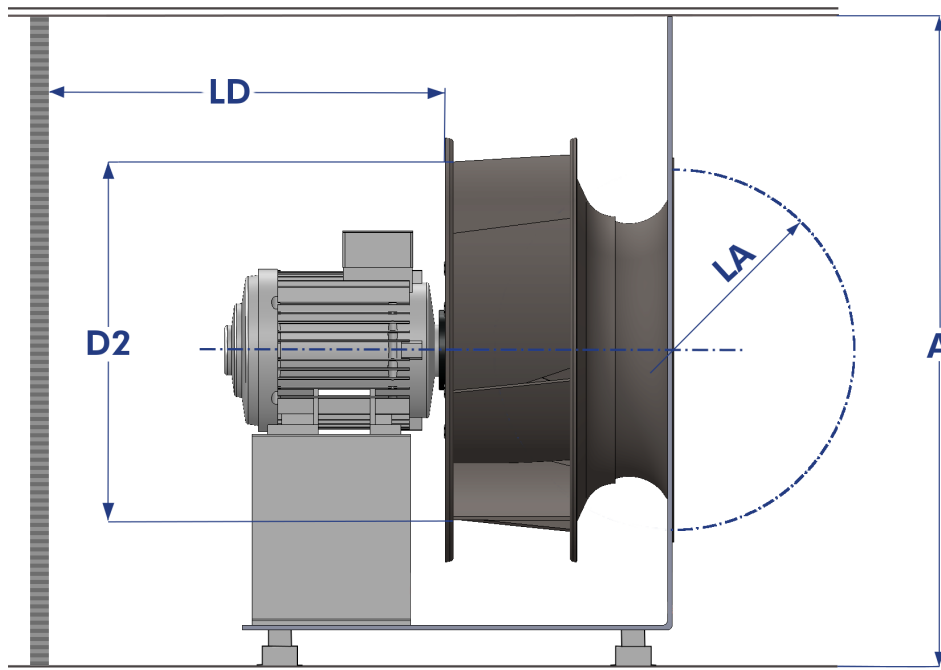
914 25th Street SE  
Hickory, NC 28602  
USA

Fon: +1.828.322.1951

Fax: +1.828.328.1336

info@punker.com

► www.punker-usa.com



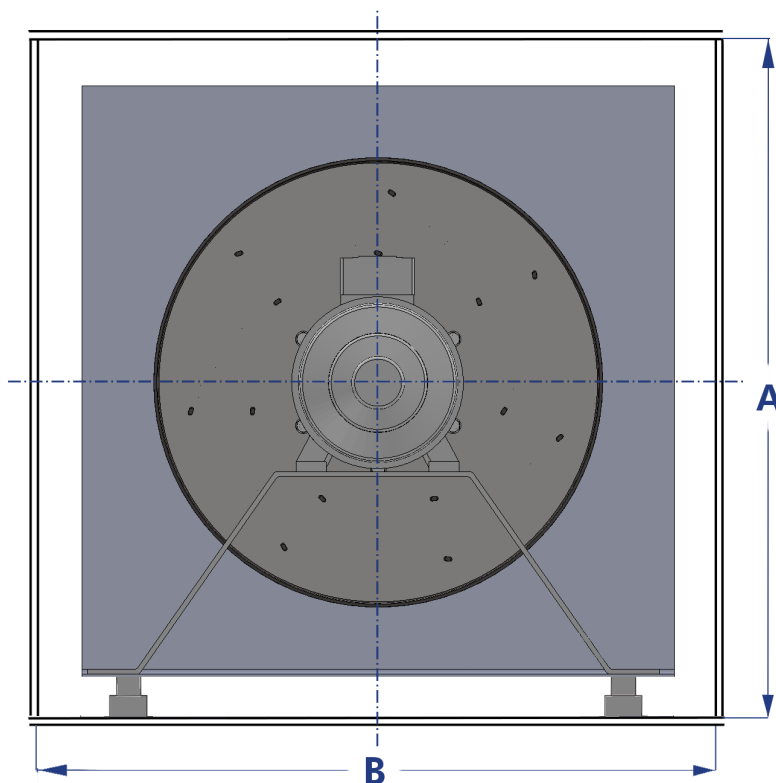
**D2 = Nominal diameter of fan wheel**

**Distance to components on suction side:**

$$LA \geq 0,5 \times D2$$

**Distance to components on pressure side:**

$$LD \geq 1 \times D2$$



**Box dimensions = A = B**

**Recommended dimensions:**

$$A \geq 1,8 \times D2$$

**Minimum dimensions:**

$$A \geq 1,5 \times D2$$

